

## Fiber Optical Circulator-780; 808; 850; 980; 1040; 1064nm

OPNETI 700~1100nm circulator is Terbium Gallium Garnet (TGG) Based, which directing light from port1 to port 2, port2 to port 3, light cannot go from port 3 to port1, It has low loss, high isolation, high reliability and stability, with broad operation wavelength range, Available with Multimode (MM) fibers, Single Mode (SM) fibers and Polarization Maintaining (PM) fibers. Customization (special wavelength/special fiber/different power handling/axis block/add monitor tap output port/WDM integration/other function combination) is available for this product.

### Specifications

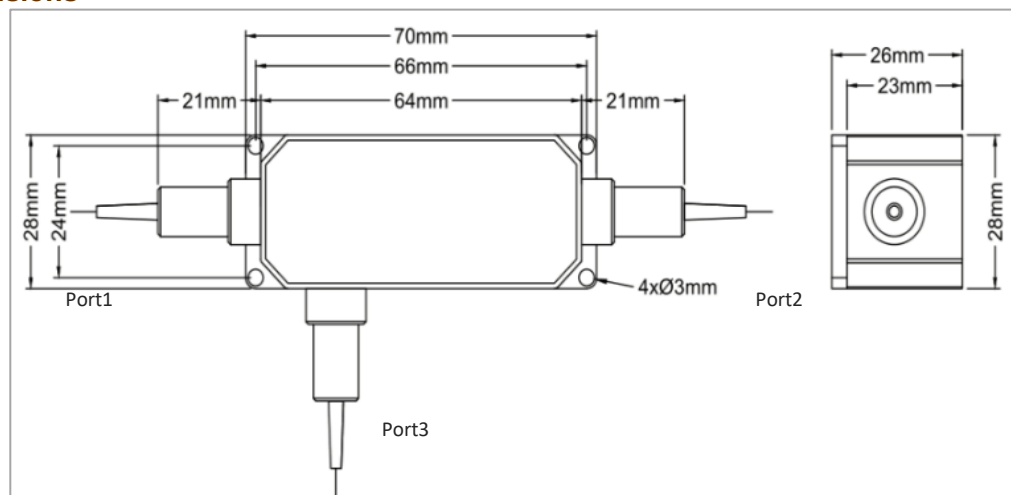
Parameters	Unit	3 Port		
Operating Wavelength ( $\lambda_{op}$ )	nm	780; 808; 850; 980; 1040; 1064		
Type		Multimode Fiber	Single Mode Fiber	PM Fiber
Operating Wavelength Range	nm	$\pm 5$	$\pm 5$	$\pm 5$
Typ. Insertion Loss (23°C)	dB	1.3	1.5	1.5
Insertion Loss (23°C)	dB	$\leq 1.5$	$\leq 1.8$	$\leq 1.8$
Isolation (23°C all SOP)	dB	$\geq 20$	$\geq 20$	$\geq 20$
Crosstalk (P1 to P3)	dB	$\geq 35$	$\geq 45$	$\geq 45$
Return Loss	dB	$\geq 35$	$\geq 45$	$\geq 45$
Polarization Dependent Loss (PDL)	dB	-	$\leq 0.15$	$\leq 0.15$
Extinction Ratio (PER)	dB	-	-	$\geq 20$
Axis Alignment (for PM Fiber)		-	-	Fast Axis Blocked (F) Both Axis Working (B)
Max Power Handling (CW)	W	0.3W; 1W; 5W; 10W, 20W (P1 to P2 + P2 to P2)		
Max. Peak Power for ns Pulse	kW	10		
Fiber Type		MMF50/125; MMF62.5/125;	HI780; 780-HP; HI1060; HI1060 Flex	PM780-HP; PM850; PM980; PM980-XP; PM1060L;
Package Size	mm	26x28x70		
Operating Temperature ( $T_{op}$ )	°C	+10 ~ +50		
Storage Temperature	°C	-10 ~ +60		

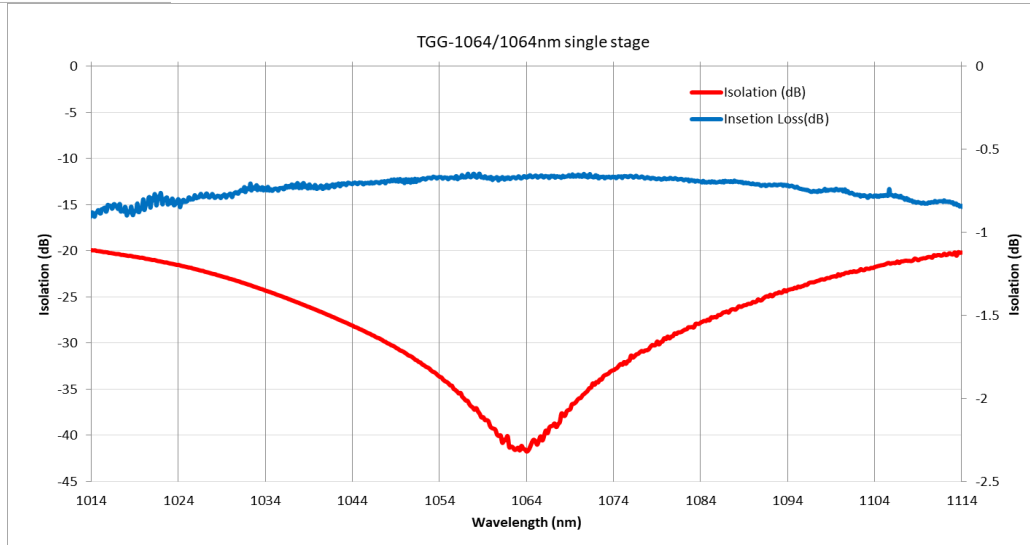
\*for devices with connectors, IL+0.3dB, RL-5dB, ER-2dB, RL-5dB,

\*the PM fiber panda eye and the connector key are aligned to the slow axis.

\*fast axis block type only allow slow axis pass.

### Package Dimensions





**Ordering Information**

CIR- ①-②②-③③③-④④④-⑤-⑥-⑦⑦-⑧⑧⑧⑧

①	Port	3=3 Port;
②	Grade	00=MM Fiber or SM Fiber; F=Fast Axis Blocked Type; B=Both Axis Working;
③	Wavelength	780; 808; 850; 980; 1040; 1064;
④	Pigtail Type	250=250µm Fiber; 900=900µm Loose Tube; 3mm=3mm Loose Tube;
⑤	Fiber Type	2=MM50/125; 3=MM62.5/125; 7=HI780; 6=HI1060; 6X=HI1060 Flex; 5=PM980; 5X=PM980XP; 10=PM1060L;
⑥	Fiber Length	1=1m;
⑦	Connector	NE=None; FA=FC/APC; FC=FC/UPC; SA=SC/APC; SC=SC/UPC; XX=Other;
⑧	Power Handling	0.3W; .....; 10W; 20W;