

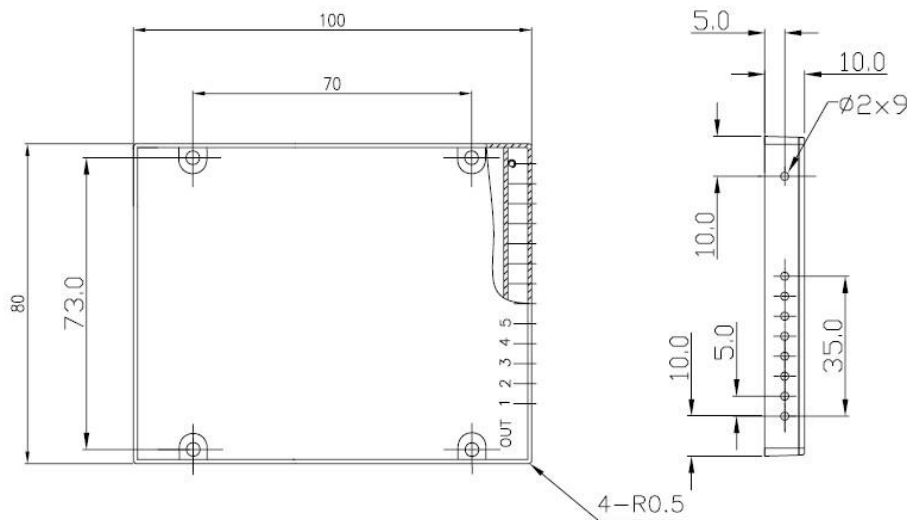
## Full Circulating Polarization Insensitive Optical Circulator

### Specifications

| Parameters                               | Unit | 3 Port             | 4 Port                 |
|------------------------------------------|------|--------------------|------------------------|
| Wavelength Range                         | nm   | 1310±30 or 1550±30 |                        |
| Isolation                                | dB   | ≥40                |                        |
| Insertion Loss                           | dB   | ≤1.3 (Typ. 1.0)    | ≤1.3 (Typ. 1.0)        |
| Light Path                               | dB   | 1->2, 2->3, 3->1   | 1->2, 2->3, 3->4, 4->1 |
| PDL                                      | dB   | ≤0.2               |                        |
| PMD                                      | ps   | ≤0.2               |                        |
| Return Loss                              | dB   | ≥50                |                        |
| Directivity                              | dB   | ≥50                |                        |
| Cross Talk                               | dB   | ≥50                |                        |
| Power Handling                           | mW   | 500                |                        |
| Fiber Type                               |      | SMF-28e            |                        |
| Operating Temperature (T <sub>op</sub> ) | °C   | -5 ~ +70           |                        |
| Storage Temperature                      | °C   | -40 ~ +85          |                        |
| Dimensions                               | mm   | 100×80×10          |                        |

\* N (N>4) port circulator available upon request.

### Package Dimensions



### Ordering Information

CIR- ①-②-③③③③-④④④④-⑤-⑥-⑦⑦-⑧⑧⑧⑧⑧⑧⑧⑧⑧⑧

|   |                  |                                                                |
|---|------------------|----------------------------------------------------------------|
| ① | Port             | 3=3 Port; 4=4 Port;                                            |
| ② | Circulating Type | F=Full Circulating;                                            |
| ③ | Wavelength       | 1310; 1550;                                                    |
| ④ | Pigtail Type     | 250=250um Fiber; 900=900um Loose Tube; 3mm=3mm Loose Tube;     |
| ⑤ | Fiber Length     | 1=1m;                                                          |
| ⑥ | Fiber Type       | 1=SMF-28e;                                                     |
| ⑦ | Connector        | NE=None; FA=FC/APC; FC=FC/UPC; SA=SC/APC; SC=SC/UPC; XX=Other; |
| ⑧ | Package Size     | 100x80x10;                                                     |