

2x2 Polarization Beam Splitter/Combiner(PBS/PBC)- 1550nm

Features

- Low Insertion Loss
- High Extinction Ratio
- High Stability and Reliability

Applications

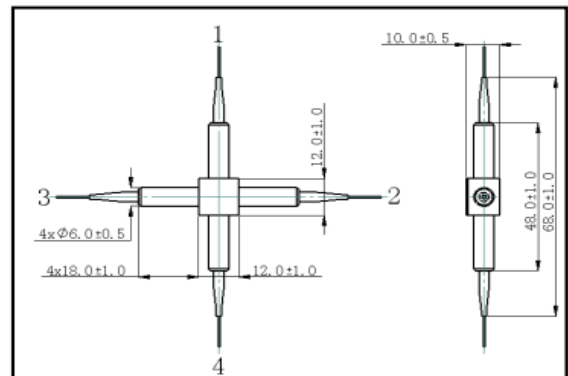
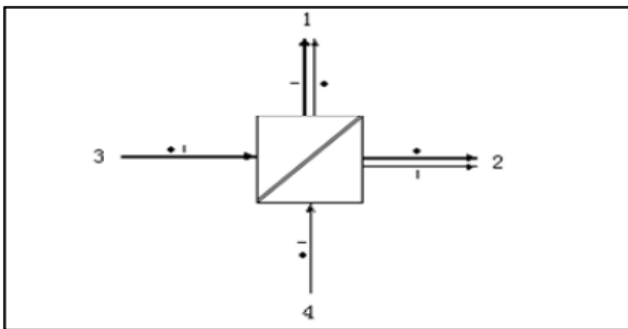
- EDFA & Raman Amplifier
- Fiber Sensor
- Coherent Telecommunication Systems
- Polarization Mode Dispersion Compensator

Specifications

Parameters	Unit	Grade P	Grade A
Operating Wavelength	nm	1550	
Operating Bandwidth	nm	±20	
Typ. Insertion Loss (Port 3 to Port 1 & 2 at Slow Axis Port 4 to Port 1 & 2 at Fast Axis)	dB	0.6	0.8
Insertion Loss (Port 3 to Port 1 & 2 at Slow Axis Port 4 to Port 1 & 2 at Fast Axis)	dB	≤0.8	≤1.0
Extinction Ratio (only for PBS)	dB	≥18	≥16
Return Loss	dB	≥50	
Power Handling	mW	≤300	
Fiber Type	Port 1&2	Panda Fiber	
	Port 3&4	SMF-28 or PM Panda Fiber	
Fiber Length	m	0.8	
Operating Temperature	°C	-5~+70	
Storage Temperature	°C	-40 ~ +80	

*For devices with connectors, IL+0.3dB, RL-5dB, ER-2dB.

Package Dimensions



Ordering Information

PBS- ①①①-②-③③③③-④④④④-⑤-⑥⑥⑥-⑦⑦
PBC-

①	Port	2x2
②	Grade	P=Grade P; A=Grade A;
③	Wavelength	1550;
④	Pigtail Type	250=250um Fiber; 900=900um Loose Tube;
⑤	Fiber Type @ Port 3&4	1=SMF-28; 3=PM Fiber, Slow Axis Align to Port 1; 4=PM Fiber, Slow Axis Align 45°to Port 1;
⑥	Length	0.8=0.8m;
⑦	Connector	NE=None; FA=FC/APC; FC=FC/UPC; SA=SC/APC; SC=SC/UPC; LC=LC/UPC; XX=Others;