


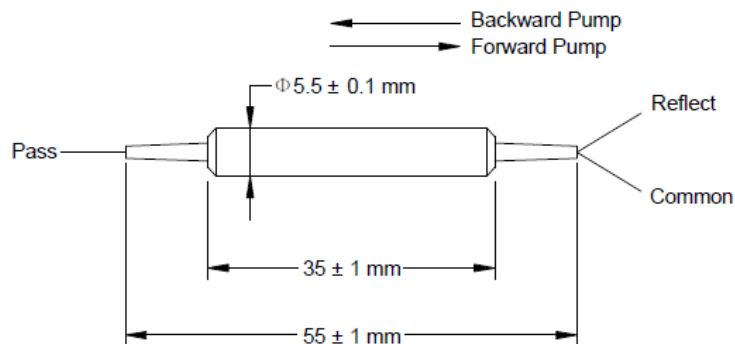
Isolator+ WDM Hybrid Device (IWDM)

Features	
Wide Operating Wavelength Low IL & PDL & High Isolation High Stability and Reliability	
Application	
Fiber Amplifier Fiber optic Instrument	

Specifications

Parameter	1480/1550		980/1550	
	Single Stage	Dual Stage	Single Stage	Dual Stage
Isolation (dB)	≥30	≥44	≥30	≥44
Insertion Loss (Signal) (dB)	≤0.7	≤0.8	≤0.8	≤0.9
PMD (ps)	≤0.25	≤0.05	≤0.25	≤0.05
Signal Wavelength Range (nm)	1528~1565(C-band)		1528~1565(C-band)	
Pump Wavelength Range (nm)	1450~1490		950~1010	
Insertion Loss (Pump) (dB)	≤0.4		≤0.6	
Reflected Isolation (Signal) (dB)	≥15		≥15	
PDL (dB)	≤0.10			
WDL (dB)	≤0.3			
Directivity (dB)	≥50			
Return Loss (dB)	≥50			
Thermal Stability (dB/ °C)	≤0.005			
Power Handling (mW)	≤500			
Operating Temperature (°C)	0 ~ +70			
Storage Temperature (°C)	-40 ~ +85			
Package Dimension (mm)	Φ5.5 × L35			
Fiber Type (Common / Pump)	SMF-28e		Hi1060	
Fiber Type (Signal)	SMF-28			

Package Dimensions



Ordering Information

IWDM	Wavelength	Stage	Type	Pigtail Type	Fiber Type	Length	Connector
	T1550/R980 T1550/R1480	S= Single stage D = Dual Stage	F=Forward B=Backward	250=250um bare fiber 900=900um loose tube 3000=3mm loose tube	1=SMF-28e 4=HI1060	1= 1m	NE=None FA=FC/APC FC=FC/UPC SA=SC/APC SC=SC/UPC XX=Other