

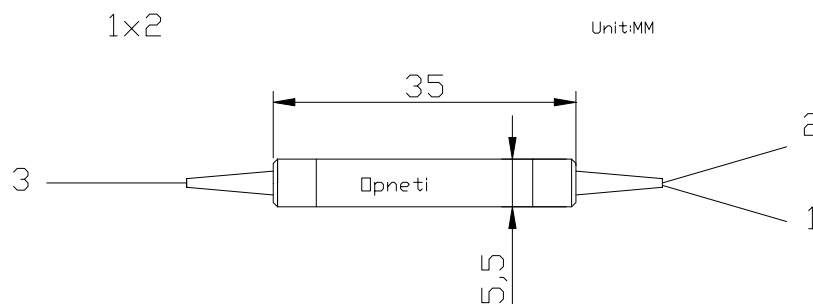
RC80 PM Fiber Filter Coupler

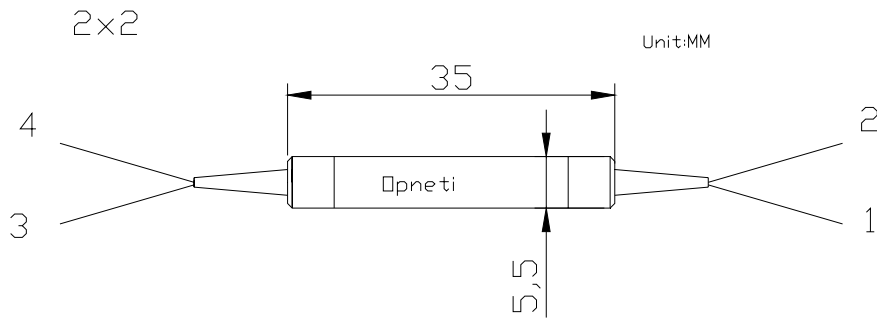
Features	
Low Insertion Loss High Extinction Ratio High Isolation High stability and reliability	
Application	
Fiber Sensor Fiber Optical Instrument	

Specifications

Type		1 x 2	2 x 2
Parameter			
Wavelength (nm)		1550	1550
Operating Bandwidth (nm)		±20	±20
Excess Loss (dB)		≤0.7	≤1.0
Uniformity (dB)		≤0.5	≤0.6
Coupling Ratio (%)		1/99~50/50	
Extinction Ratio (dB)		≥20	≥18
Return loss (dB)		≥50	
Power handling (mW)		≤500	
Fiber Type	Tap port 2	RC PM1550 or RC SM1550	
	Port 1 & 3	RC PM1550	
Operating temperature (°C)		-5~+70	
Storage temperature (°C)		-40 ~ +80	
Dimensions (mm)		φ5.5×L35	

Package Dimensions:





Ordering Information

PMFC	Type	Wavelength	Coupling Ratio	Axis Alignment	Pigtail Type	Fiber Type	Length
	1x2 2x2	1550	1/99 2/98 3/97 50/50	2=Both Axis Working	170=170um bare fiber	6=RC PM1550	0.8= 0.8m