


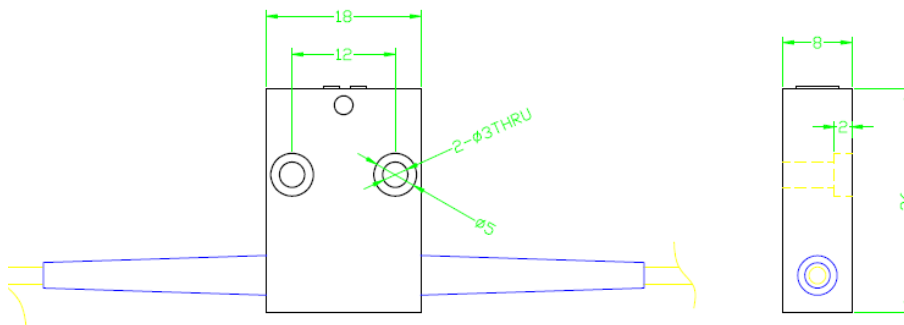
## Multimode Manual Variable Optical Attenuator (MVOA)

<b>Features</b>	
High precision	
Wide attenuation range	
Low IL	
<b>Application</b>	
Optical communication systems test	
Optics lab use	

### Specifications:

Parameter \ Type	850, 1310nm
Wavelength (nm)	850 ± 40 or 1310 ± 40
Attenuation range (dB)	0.8 ~ 40
IL (dB)	≤0.8
Return loss (dB)	≥30
Fiber Type	Multimode fiber 50/125 or 62.5/125
Adjustment Precision (dB)	0.02
PDL (dB)	≤0.15
Operating temperature (°C)	0 ~ +70
Storage temperature (°C)	-40 ~ +85
Dimension (mm)	26 x 16 x 8

### Package Dimensions



### Ordering Information

MVOA	Wavelength	Adjustment Type	Pigtail Type	Fiber Type	Length	Connector
	85=850 13=1310 850/1310	1= Hand adjustment 2= Screw adjustment	900=900um tube 2000=2mm tube 3000=3mm tube	loose loose loose	2=50/125 3=62.5/12.5	1= 1m  NE=None FA=FC/APC FC=FC/UPC SA=SC/APC SC=SC/UPC LC=LC/UPC LA=LC/APC MU=MU/UPC XX=Other