


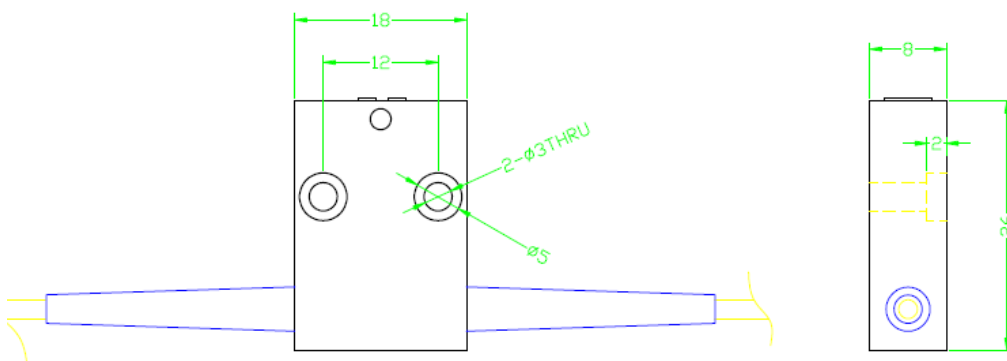
Single Mode Manual Variable Optical Attenuator (MVOA)

Features	
High precision	
Wide attenuation range	
Low Insertion Loss	
Application	
Optical communication systems test	
Optics lab use	

Specifications:

Parameter \ Type	1310nm	1550nm	1310/1550nm	1064
Wavelength (nm)	1310 ± 40	1550 ± 40	1310 ± 40 & 1550 ± 40	1064 ± 20
Attenuation range (dB)	0.6 ~ 60	0.6 ~ 60	0.8 ~ 60	0.6 ~ 60
Insertion Loss (dB)	≤0.6	≤0.6	≤0.8	≤0.6
Return loss (dB)	≥50			≥50
Fiber Type	SMF-28e			HI1060
Adjustment Precision (dB)	0.02			
PDL (dB)	≤0.15			
Operating temperature (°C)	0 ~ +70			
Storage temperature (°C)	-40 ~ +85			
Dimension (mm)	26 x 16 x 8			

Package Dimensions



Ordering Information

MVOA	Wavelength	Adjustment Type	Pigtail Type	Fiber Type	Length	Connector
	1064	1= Hand adjustment	900=900um tube	1=SMF-28e	1= 1m	NE=None
	1310	2= Screw adjustment	2000=2mm tube	4=HI1060		FA=FC/APC
	1550		3000=3mm tube			FC=FC/UPC
	1310/1550					SA=SC/APC
						SC=SC/UPC
						LC=LC/UPC
						LA=LC/APC
						MU=MU/UPC
						XX=Other